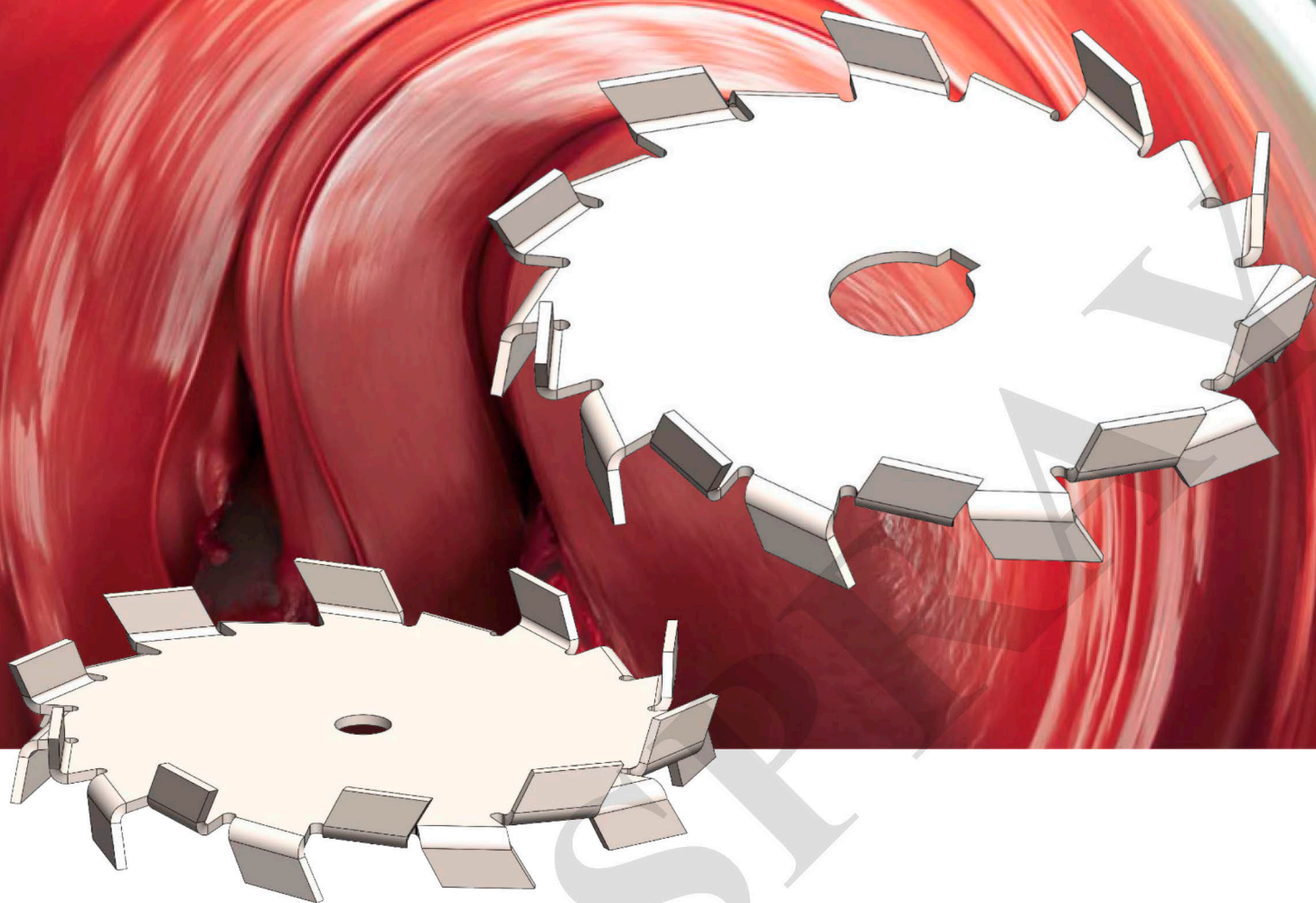


GLS

GOLDSPRAY



DISCOS

COWLES DC

GLS

**GOLDSPRAY S.L.**

Pol. Ind. Masia del Juez  
C/ Rajolers, 39  
46.909 TORRENT - Valencia

**Made in Spain** €

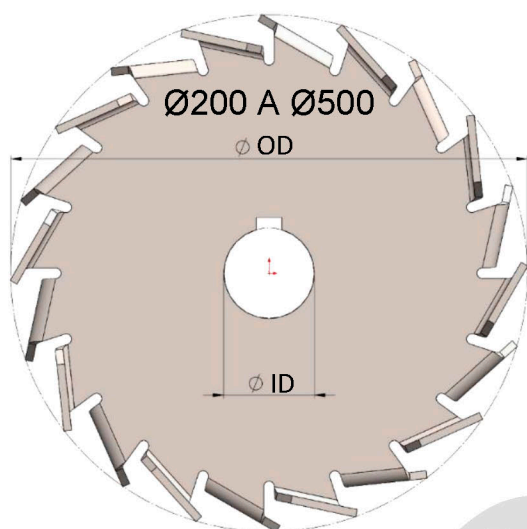
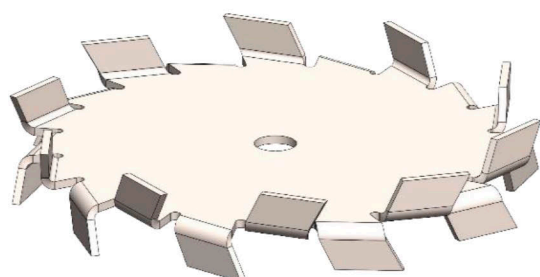
 [www.goldspray.com](http://www.goldspray.com)

 [comercial@goldspray.com](mailto:comercial@goldspray.com)

 +34 96 156 58 36  672 645 248

 [https://www.youtube.com/results?search\\_query=GOLDSPRAYSL](https://www.youtube.com/results?search_query=GOLDSPRAYSL)

GOLDSPRAY



## Disco Dispersor Cowles DC Disc Disperser Cowles DC

Material	Acero inoxidable 304/316
Material	Stainless Steel 304/316
Sentido de giro	A derechas
Direction of rotation	Clockwise
Rosca	A medida (consulte precios)
Thread	Custom (ask prices)
Acabado	Pulido/Mate
Finish	Polished/Matt

ØOD mm	ØID (mm)	Grueso (mm)	Peso (Kg)	Numero Palas	CÓDIGO
30	8	1.5		16	110.150.030
40	8	1.5		16	110.150.040
50	8-10-12	1.5		18	110.150.050
60	8-10-12	1.5		18	110.150.060
70	8-10-12	1.5		18	110.150.070
80	8-10-12	2		18	110.150.080
90	8-10-12	2		18	110.150.090
100	8-10-12	2		18	110.150.100
120	8-10-12	2		18	110.150.120
150	35	2.5	0.360	18	110.150.150
180	35	2.5		20	110.150.180
200	12	3	0.800	20	110.150.200
230	35	3		24	110.150.230
250	10-35	3	1.200	24	110.150.250
280	35	3		28	110.150.280
300	10-35	3	1.700	28	110.150.300
350	35-60	3		32	110.150.350
380	35-60	3-		34	110.150.380
400	35-60	3-		34	110.150.400
450	35-60	3-		34	110.150.450
500	35-60	3-		34	110.150.500

Sujeción mediante rosca a medida o tornillo de apriete.  
Disponible en acero inoxidable 304/316  
consulte disponibilidad y precio.

También se hacen según indicaciones del cliente.

Clamping by means of a customized thread or  
clamping screw. Available in 304/316 stainless Steel  
check availability and price.

They are also made according to customer instructions.